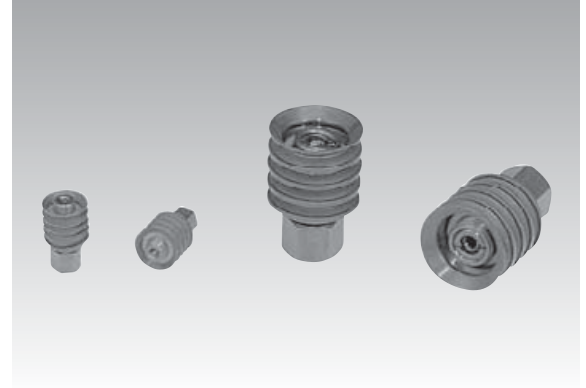


Ball Joints

Features and Strengths

The Vtec Ball Joint or sometimes referred to as a universal joint is for use when a degree of angular compliance is required, more commonly used with flat type cups which unlike bellows do not allow for much angular compliance as part of their design.

The vacuum port is integral through the centre of the joint thus providing a neat and compact solution.



Dimensional Information

Model	Thread Size	Angle	Max. Load	Weight(g)
BJ18	G1/8"	±12°	25kg	19
BJ12	G1/2"	±12°	50kg	112

